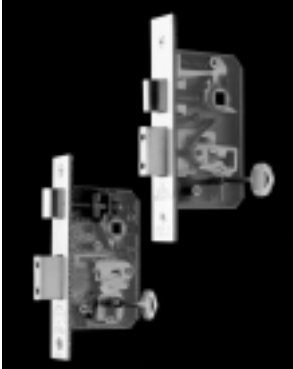


## SECURITY



**T**he selection of security hardware is a vital part of any architectural ironmongery schedule. We have taken care in building this comprehensive range to meet the requirements of most specifications. If however, you have a special application that is not covered here then please do contact our experienced sales team who will work with you in finding a solution.

**Page SC5**      3-Lever and 5-Lever Locks

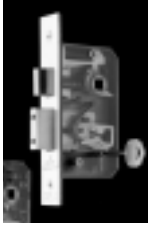
**Page SC8**      Cylinder Locks

**Page SC10**     Latches

**Page SC12**     Privacy Mortice Locks

**Page SC13**     Euro Cylinders

**Page SC14**     Security Fittings



## TECHNICAL INFORMATION

### MAINTENANCE OF LOCKS

#### Care

When fitted very little cleaning can be done to locks other than to occasionally wipe exposed surfaces with a soft cloth. Polishes should not be allowed to enter the mechanism and in particular should be kept away from the keyholes of pin tumbler cylinders.

The key should turn easily and if it does with the door open but not when closed, the most likely cause is the bolt binding on the striking plate.

A mis-aligned striking plate causes side pressure to be exerted to detrimental effect. The lip of the striking plate if not of the pre-bent type should be bent to allow the latch bolt to strike at an angle to achieve easy and smooth closing.

Whilst dirt and dust will inevitably enter locks depending on their location and the environment in which they are used, in general where a lock is used regularly operation keeps the mechanism in working order.

When decoration is being undertaken it is advisable to remove the locks from doors at which time they may be cleaned and lubricated.

It is important that forends and striking plates are not painted or varnished as this can cause latch and deadbolts to bind.

#### Lubrication

At the time of manufacture a good quality long lasting grease that does not thicken is applied to moving parts, in particular to springs and the lath in the latchbolt mechanism.

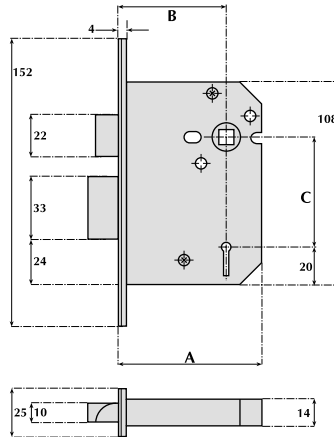
It may be recommended that a high-grade thin oil be used to apply a smear to latch and deadbolts and also the pin and nose of mortise keys. Similarly, a smear to the striking surface of striking plates may be considered useful in achieving quiet and smooth operation. Lubrication of the brass lever mechanism is unnecessary.

In no circumstances should oil be introduced to the pin tumbler mechanism of cylinders. Here the correct lubricant is the CM 18-005 fine flake graphite available from us in 50gram bottles.

Frequency of lubrication depends on a variety of factors such as temperature, atmosphere, environment and usage but in most circumstances annually should suffice.

# 3 AND 5-LEVER LOCKS

## 3-LEVER LOCKS



	(A) Lockcase	(B) Backset	(C) Centres
18-110	63mm	45mm	57mm
18-115	76mm	57mm	57mm
<b>SPECIAL ORDER</b>	101mm	82mm	57mm

### 3 Lever Mortise Sash Lock

CASE: Steel, epoxy polyester powder coated.  
LATCHBOLT: Brass. Reversible to suit either hand. Operated by lever handles both sides. Projects 12mm.

DEADBOLT: Brass. Projects 16mm.

FOREND: Stainless Steel or Satin Brass.

STRIKER: Flat plate to match forend finish.

FOLLOWER: Brass. To suit 8mm spindle.

SPRINGING: Double springing and approved for unsprung levers.

Differs:100.

Also available Keyed Alike and Master Keyed **SPECIAL ORDER**

KEYS: 2 Supplied. Additional keys available at extra cost. Steel Nickel plated.

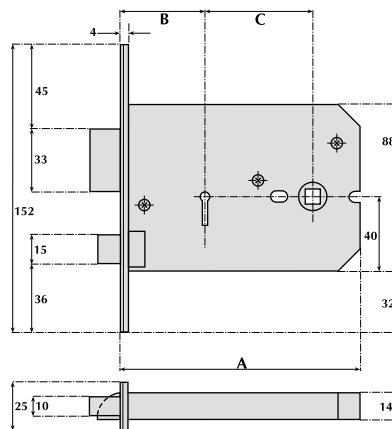
Master keys are extra cost **SPECIAL ORDER**

REBATE SETS:

18-118 13mm.

19 & 25mm **SPECIAL ORDER**

Brass or Silver Anodized to match forend & striker.



	(A) Lockcase	(B) Backset	(C) Centres
18-120	127mm	45mm	57mm

### 3 Lever Mortise Horizontal Lock

CASE: Steel, epoxy polyester powder coated.

LATCHBOLT: Brass. Reversible to suit either hand. Operated by knob handles both sides. Projects 12mm.

DEADBOLT: Brass. Projects 16mm.

FOREND: Stainless Steel or Satin Brass.

STRIKER: Flat plate to match forend finish.

FOLLOWER: Brass. To suit 8mm spindle.

Two way action suitable for knobs.

SPRINGING: Not approved for unsprung levers.

Differs:100.

Also available Keyed Alike and Master Keyed.

**SPECIAL ORDER**

KEYS: 2 Supplied. Additional keys available at extra cost. Steel Nickel plated.

Master keys are extra cost. **SPECIAL ORDER**

REBATE SETS:

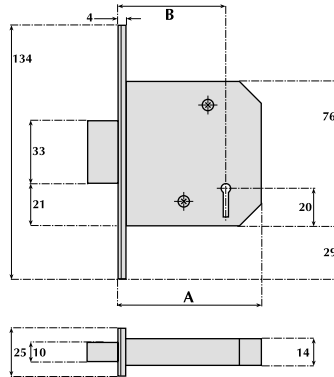
18-126 13mm.

19 & 25mm **SPECIAL ORDER**

Brass or Silver Anodized to match forend & striker.

## 3 AND 5-LEVER LOCKS

### 3-LEVER LOCKS



	(A) Lockcase	(B) Backset	(C) Centres
18-128	63mm	45mm	-
18-128	76mm	57mm	-
<b>SPECIAL ORDER</b>	101mm	82mm	

#### 3 Lever Mortice Deadlock

CASE: Steel, epoxy polyester powder coated.

DEADBOLT: Brass. Projects 16mm.

FOREND: Stainless Steel or Satin Brass.

STRIKER: Flat plate to match forend finish.

Differs:100

Also available Keyed Alike and Master Keyed

**SPECIAL ORDER**

KEYS: 2 Supplied. Additional keys available at extra cost. Steel Nickel plated.

Master keys are extra cost **SPECIAL ORDER**

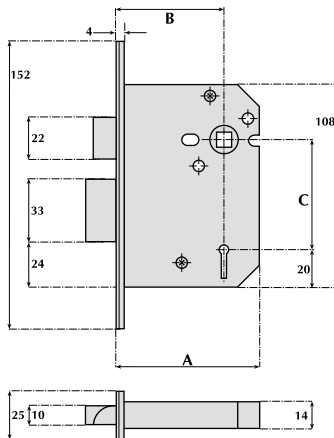
REBATE SETS:

18-129 13mm.

19 & 25mm **SPECIAL ORDER**

Brass or Silver Anodized to match forend & striker.

### 5-LEVER LOCKS



	(A) Lockcase	(B) Backset	(C) Centres
18-130	63mm	45mm	57mm
18-135	76mm	57mm	57mm
<b>SPECIAL ORDER</b>	101mm	82mm	57mm

#### 5 Lever Mortice Sash Lock

CASE: Steel, epoxy polyester powder coated.

LATCHBOLT: Brass. Reversible to suit either hand. Operated by lever handles both sides. Projects 12mm.

DEADBOLT: Brass. Contains 2 hardened steel anti saw rollers. Projects 16mm.

FOREND: Stainless Steel or Satin Brass.

STRIKER: Box plate to match forend finish.

FOLLOWER: Brass. To suit 8mm spindle.

SPRINGING: Double springing and approved for unsprung levers.

Differs:200

Also available Keyed Alike and Master Keyed.

**SPECIAL ORDER**

KEYS: 2 Supplied. Additional keys available at extra cost. Steel Nickel plated.

Master keys are extra cost **SPECIAL ORDER**

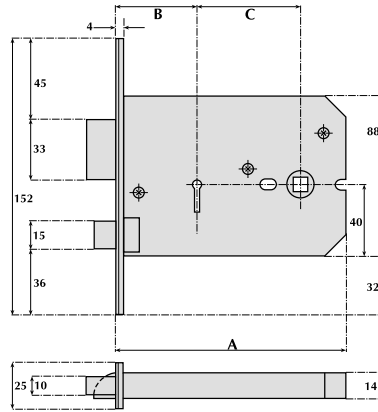
REBATE SETS:

18-145 13mm.

19 & 25mm **SPECIAL ORDER**

Brass or Silver Anodized to match forend & striker.

5-LEVER LOCKS



	(A) Lockcase	(B) Backset	(C) Centres
18-180	127mm	45mm	57mm

5 Lever Mortice Horizontal Lock

CASE: Steel, epoxy polyester powder coated.  
LATCHBOLT: Brass. Reversible to suit either hand. Operated by knob handles both sides. Projects 12mm.

DEADBOLT: Brass. Contains 2 hardened steel anti saw rollers. Projects 16mm.

FOREND: Stainless Steel or Satin Brass.

STRIKER: Box plate to match forend finish.  
FOLLOWER: Brass. To suit 8mm spindle. Two way action suitable for knobs.

SPRINGING: Not approved for unsprung levers.

DIFFERS: 200.

Available Keyed Alike and Master Keyed.

**SPECIAL ORDER**

KEYS: 2 Supplied. Additional keys available at extra cost. Steel Nickel plated.

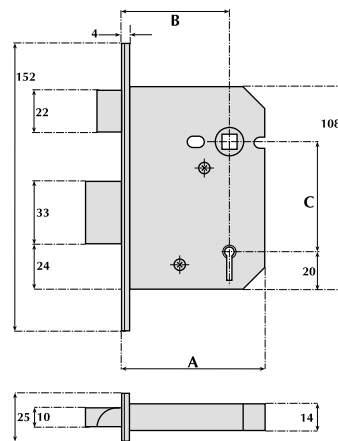
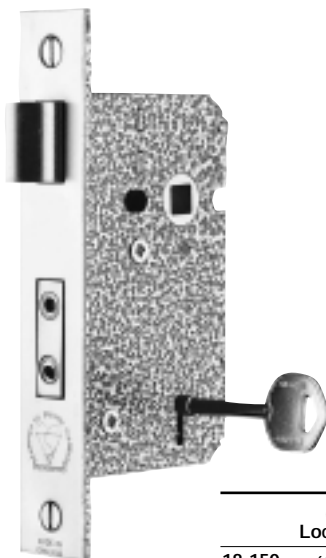
Master keys are extra cost. **SPECIAL ORDER**

REBATE SETS:

18-190 13mm,

19 & 25mm **SPECIAL ORDER**

Brass or Silver Anodized to match forend & striker.



	(A) Lockcase	(B) Backset	(C) Centres
18-150	63mm	45mm	57mm
18-155	76mm	57mm	57mm

BS3621 5 Lever Mortice Sash Lock

CASE: Hardened steel, epoxy polyester powder coated.

LATCHBOLT: Brass. Reversible pull and twist to suit either hand. Operated by lever handles both sides. Projects 12mm.

DEADBOLT: Brass. Contains 2 hardened steel anti saw rollers. Projects 20mm.

FOREND: Stainless Steel or Satin Brass.

STRIKER: Box plate to match forend finish.

FOLLOWER: Brass. To suit 8mm spindle.

SPRINGING: Not approved for unsprung levers.

DIFFERS: 1000.

KEYS: 2 Supplied. Additional keys available at extra cost. Steel Nickel plated.

REBATE SETS:

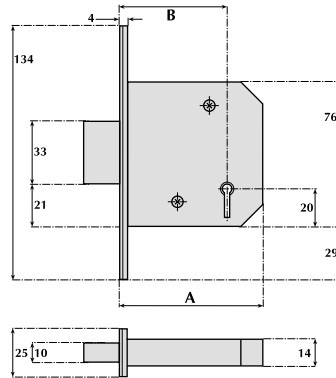
18-145 13mm.

19 & 25mm **SPECIAL ORDER**

Brass or Silver Anodized to match forend & striker.

### 3 AND 5-LEVER LOCKS

#### 5-LEVER LOCKS



	(A) Lockcase	(B) Backset	(C) Centres
18-210	63mm	45mm	-
18-214	76mm	57mm	-

#### BS3621 5 Lever Mortice Deadlock

OPERATION: Deadbolt operated by key from either side.

CASE: Hardened steel, epoxy polyester powder coated.

DEADBOLT: Brass. Contains 2 hardened steel anti saw rollers. Projects 20mm.

FOREND: Stainless Steel or Satin Brass.

STRIKER: Box plate to match forend finish.

DIFFERS: 1000.

KEYS: 2 Supplied. Additional keys available at extra cost. Steel Nickel plated.

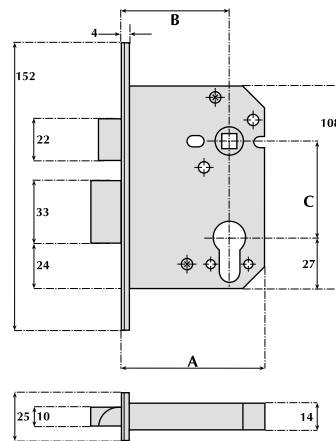
REBATE SETS:

18-314 13mm.

19 & 25mm **SPECIAL ORDER**

Brass or Silver Anodized to match forend & striker.

#### CYLINDER LOCKS



	(A) Lockcase	(B) Backset	(C) Centres
18-730	63mm	45mm	57mm
18-733	76mm	57mm	57mm
<b>SPECIAL ORDER</b>	101mm	82mm	57mm

#### Mortice Sash Lock CASE ONLY for EURO PROFILE CYLINDER

OPERATION: Latch bolt operated by lever handle both sides. Deadbolt operated by cylinder from either side.

CASE: Steel, epoxy polyester powder coated.

LATCHBOLT: Brass. Reversible to suit either hand. Operated by lever handles both sides. Projects 12mm.

DEADBOLT: Brass. Contains 2 hardened steel anti saw rollers. Projects 14mm.

FOREND: Stainless Steel or Satin Brass.

STRIKER: Flat plate to match forend finish.

FOLLOWER: Brass. To suit 8mm spindle.

SPRINGING: Double springing and approved for unsprung levers.

CYLINDER: NOT INCLUDED Single, double or cylinder and thumb turn. (See Page SC11) Euro profile only. Available to differ.

Keyed Alike and/or Master Keyed

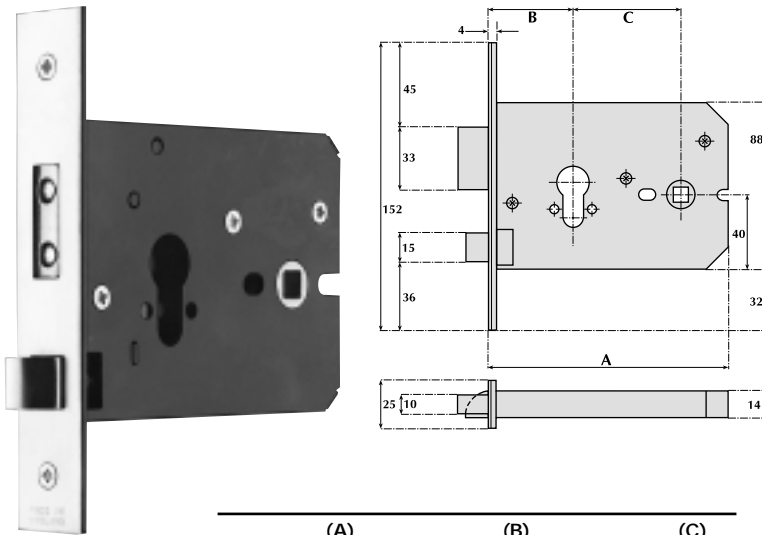
**SPECIAL ORDER**

REBATE SETS:

18-718 13mm.

19 & 25mm **SPECIAL ORDER**

Brass or Silver Anodized to match forend & striker.



	(A) Lockcase	(B) Backset	(C) Centres
18-760	127mm	45mm	57mm

**Mortise Horizontal Lock CASE ONLY for EURO PROFILE CYLINDER**

OPERATION: Latch bolt operated by lever handle both sides. Deadbolt operated by cylinder from either side.

CASE: Steel, epoxy polyester powder coated.

LATCHBOLT: Brass. Reversible to suit either hand. Operated by knob handles both sides. Projects 12mm.

DEADBOLT: Brass. Contains 2 hardened steel anti saw rollers. Projects 14mm.

FOREND: Stainless Steel or Satin Brass.

STRIKER: Box plate to match forend finish.

FOLLOWER: Brass. To suit 8mm spindle. Two way action suitable for knobs.

SPRINGING: Not approved for unsprung levers.

CYLINDER: NOT INCLUDED Single, double or cylinder and thumb turn. Euro profile only. (See page SC11)  
Available to differ.

Keyed Alike or/and Master Keyed

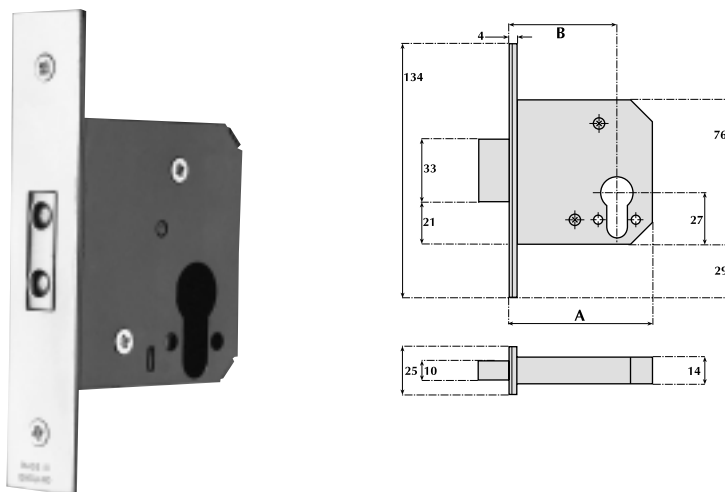
**SPECIAL ORDER**

REBATE SETS:

18-790 13mm.

19 & 25mm **SPECIAL ORDER**

Brass or Silver Anodized to match forend & striker.



	(A) Lockcase	(B) Backset	(C) Centres
18-855	63mm	45mm	-
18-860	76mm	57mm	-
<b>SPECIAL ORDER</b>	101mm	82mm	-

**Mortise Dead Lock CASE ONLY for EURO PROFILE CYLINDER**

OPERATION: Deadbolt operated by cylinder from either side.

CASE: Steel, epoxy polyester powder coated.

DEADBOLT: Brass. Contains 2 hardened steel anti saw rollers. Projects 14mm.

FOREND: Stainless Steel or Satin Brass.

STRIKER: Box plate to match forend finish.

CYLINDER: NOT INCLUDED Single, double or cylinder and thumb turn. Euro profile only. (See page SC11)  
Available to differ.

Keyed Alike or/and Master Keyed

**SPECIAL ORDER**

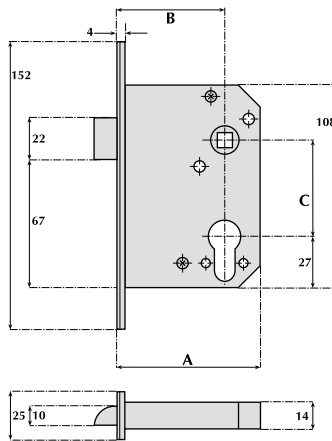
REBATE SETS:

18-870 13mm.

19 & 25mm **SPECIAL ORDER**

Brass or Silver Anodized to match forend & striker.

## CYLINDER LOCKS



	(A) Lockcase	(B) Backset	(C) Centres
18-800	76mm	57mm	57mm
18-810	101mm	82mm	57mm

### Mortice Night Latch CASE ONLY for EURO PROFILE CYLINDER

OPERATION: Latch bolt to spring by cylinder outside, lever or knob inside. Bolt can be deadlocked by further turn of the key from either side.

CASE: Steel, epoxy polyester powder coated.

LATCHBOLT: Brass. Handed. Projects 12mm.

DEADBOLT: Brass. Contains 2 hardened steel anti saw rollers. Projects 14mm.

FOREND: Stainless Steel or Satin Brass.

STRIKER: Flat plate to match forend finish.

FOLLOWER: Brass. To suit 8mm spindle.

SPRINGING: Double springing and approved for unsprung levers.

CYLINDER: NOT INCLUDED Single, double or cylinder and thumb turn. Euro profile only. Available Keyed Alike or Master Keyed

**SPECIAL ORDER**

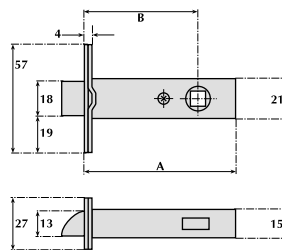
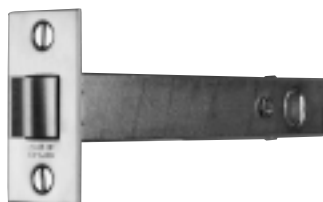
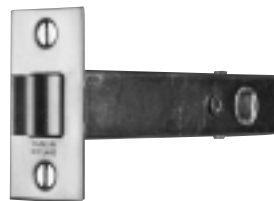
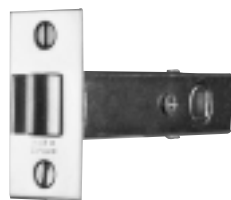
REBATE SETS:

18-830 13mm.

19 & 25mm **SPECIAL ORDER**

Brass or Silver Anodized to match forend & striker.

## LATCHES



### Tubular Mortice Latch

CASE: Steel, epoxy polyester powder coated.

LATCHBOLT: Brass. Reversible to suit either hand. Operated by knob (or lever). Projects 12mm.

FOREND: Stainless Steel or Satin Brass.

STRIKER: Flat plate to match forend finish.

FOLLOWER: Chrome plated. To suit 8mm spindle. Two way action suitable for knobs.

SPRINGING: Not suitable for all unsprung lever furniture.

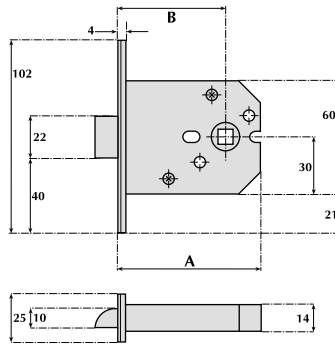
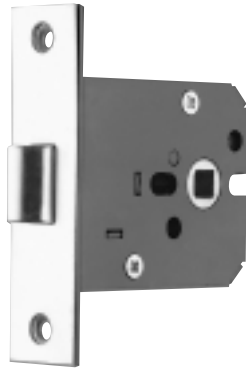
Please seek advice from our support line.

REBATE SETS:

18-018 13mm only.

Brass or Silver Anodized to match forend & striker.

	(A) Lockcase	(B) Backset	(C) Centres
18-010	80mm	60mm	-
18-011	100mm	75mm	-
18-012	127mm	100mm	-
<b>SPECIAL ORDER</b>	151mm	130mm	-



	(A) Lockcase	(B) Backset	(C) Centres
18-030	63mm	45mm	-
18-035	76mm	57mm	-
<b>SPECIAL ORDER</b>	101mm	82mm	-

**Full Bodied Mortice Latch**

CASE: Steel, epoxy polyester powder coated.

LATCHBOLT: Brass. Reversible to suit either hand. Operated by lever handle both sides. Projects 12mm.

FOREND: Stainless Steel or Satin Brass.

STRIKER: Flat plate to match forend finish.

FOLLOWER: Brass. To suit 8mm spindle.

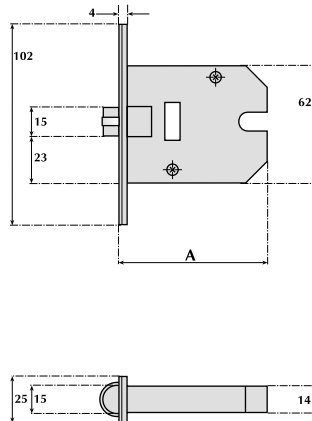
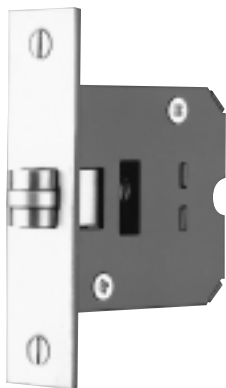
SPRINGING: Double springing and approved for unsprung levers.

REBATE SETS:

18-038 13mm.

19 & 25mm **SPECIAL ORDER**

Brass or Silver Anodized to match forend & striker.



	(A) Lockcase	(B) Backset	(C) Centres
18-070	63mm	-	-
<b>SPECIAL ORDER</b>	76mm	-	-
<b>SPECIAL ORDER</b>	101mm	-	-

**Full Bodied Push/Pull Mortice Roller Latch**

OPERATION: Adjustable roller bolt push or pull.

CASE: Steel, epoxy polyester powder coated

LATCH BOLT: Brass. Adjustable roller.

FOREND: Stainless Steel or Satin Brass.

STRIKER: Flat plate to match forend finish.

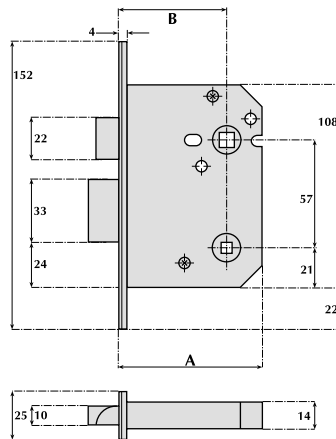
REBATE SETS:

18-076 13mm.

19 & 25mm **SPECIAL ORDER**

Brass or Silver Anodized to match forend & striker.

# PRIVACY MORTICE LOCKS



	(A) Lockcase	(B) Backset	(C) Centres
18-405	63mm	45mm	57mm
18-425	76mm	57mm	57mm
<b>SPECIAL ORDER</b>	101mm	82mm	57mm

## Mortice Privacy Sash Lock

**OPERATION:** Latch bolt operated by lever handle on both sides. Deadbolt operated by turn from either side.

**CASE:** Steel, epoxy polyester powder coated.

**LATCHBOLT:** Brass. Reversible to suit either hand. Operated by lever handles both sides. Projects 12mm.

**DEADBOLT:** Brass. Projects 14mm.

**FOREND:** Stainless Steel or Satin Brass.

**STRIKER:** Flat plate to match forend finish.

**FOLLOWER:** Brass. Latchbolt follower to suit 8mm. Deadbolt follower to suit 8mm.

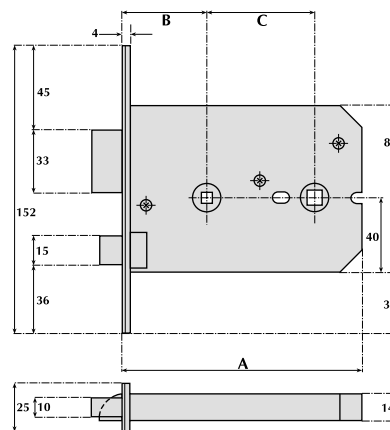
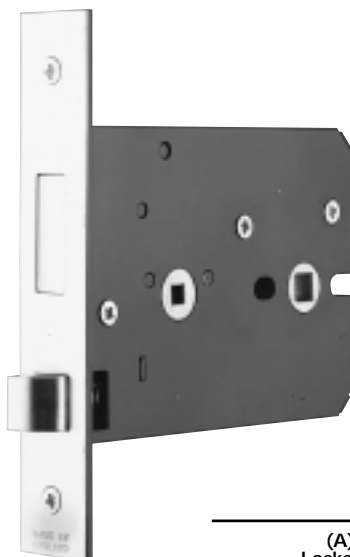
**SPRINGING:** Double springing and approved for unsprung levers.

**REBATE SETS:**

**18-427** 13mm.

19 & 25mm **SPECIAL ORDER**

Brass or Silver Anodized to match forend & striker.



	(A) Lockcase	(B) Backset	(C) Centres
18-600	127mm	45mm	57mm

## Mortice Horizontal Privacy Lock

**OPERATION:** Latch bolt operated by lever or knob both sides. Deadbolt operated by turn from either side.

**CASE:** Steel, epoxy polyester powder coated.

**LATCHBOLT:** Brass. Reversible to suit either hand. Operated by knob handles both sides. Projects 12mm.

**DEADBOLT:** Brass. Projects 16mm.

**FOREND:** Stainless Steel or Satin Brass.

**STRIKER:** Flat plate to match forend finish.

**FOLLOWER:** Brass. Latchbolt follower to suit 8mm. Deadbolt Follower to suit 8mm.

**SPRINGING:** Not approved for unsprung levers.

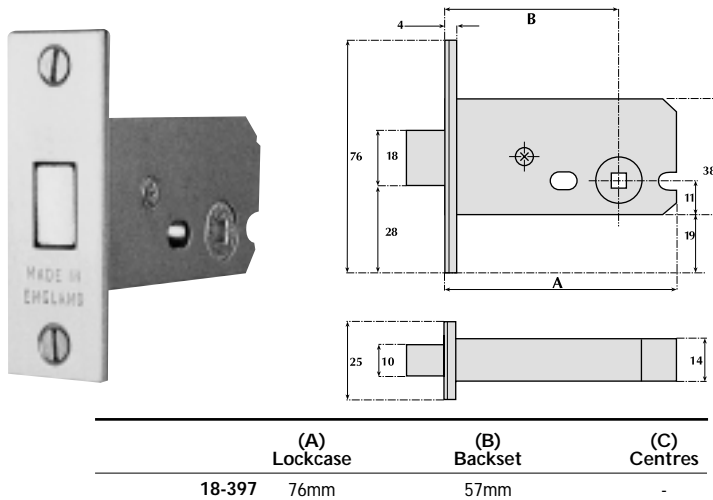
**REBATE SETS:**

**18-620** 13mm.

19 & 25mm **SPECIAL ORDER**

Brass or Silver Anodized to match forend & striker.

# PRIVACY MORTICE LOCKS



## Mortice Privacy Deadbolt

OPERATION: Deadbolt operated by turn from either side.

CASE: Steel, epoxy polyester powder coated.

DEADBOLT: Die cast Nickel Plated Projection: 8mm.

FOLLOWER: 8mm.

FOREND: Stainless Steel or Satin Brass.

STRIKER: Flat plate to match forend finish.

REBATE SETS: Available upon request.

**SPECIAL ORDER**

# EURO PROFILE CYLINDERS

5 Pin cylinder system restricted key profiles (21 profiles).

3 Keys except keyed alike cylinders which have no keys, order separately.

Available keyed alike and mastered keyed **SPECIAL ORDER**

Standard finish Nickel or Satin Brass.

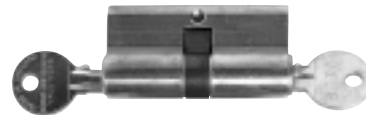
Maintain cylinders only with 18-005 graphite lubricant

Available in 50g bottles.

SINGLE CYLINDER	
40mm	<b>SPECIAL ORDER</b>
45mm	<b>18-900</b>
50mm	<b>18-901</b>
60mm	<b>18-902</b>
70mm	<b>SPECIAL ORDER</b>
80mm	<b>SPECIAL ORDER</b>
90mm	<b>SPECIAL ORDER</b>
100mm	<b>SPECIAL ORDER</b>
120mm	<b>SPECIAL ORDER</b>
130mm	<b>SPECIAL ORDER</b>

SINGLE CYLINDER THUMB TURN ONLY	
Turn button finishes: Black, Patine, Polished Brass, Satin Brass.	
40mm	<b>SPECIAL ORDER</b>
45mm	<b>SPECIAL ORDER</b>
50mm	<b>SPECIAL ORDER</b>

key shape may differ from those illustrated.



## DOUBLE CYLINDER

(Uneven cylinders are available) **SPECIAL ORDER**

60mm	<b>18-930</b>
70mm	<b>18-931</b>
80mm	<b>18-932</b>
90mm	<b>SPECIAL ORDER</b>
100mm	<b>SPECIAL ORDER</b>
120mm	<b>SPECIAL ORDER</b>
140mm	<b>SPECIAL ORDER</b>



## SINGLE CYLINDER WITH THUMB TURN

(Uneven cylinders are available) **SPECIAL ORDER**

Turn button finishes: Black, Patine, Polished Brass, Satin Brass.

60mm	Specify	<b>18-913</b>
70mm		
80mm		<b>18-915</b>
90mm		<b>SPECIAL ORDER</b>
100mm		<b>SPECIAL ORDER</b>
120mm		<b>SPECIAL ORDER</b>
140mm		<b>SPECIAL ORDER</b>



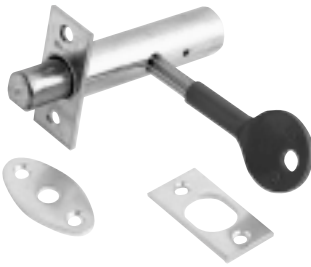
### Security Hinge Bolt (Dog bolts) 27-010

Size: 28 x 90mm

Made from cast iron.

These bolts are fitted to the hinge side of the door. The bolt locates into the mortice plate as the door shuts and resists attempts to force the door on the hinge side.

Finishes available: Black, Patine.

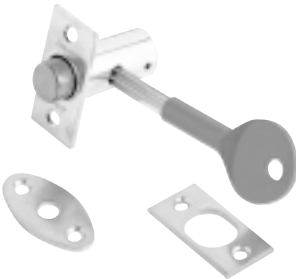


### Security Door Bolt 29-102

Size: 60mm

Mortised into the door, invisible from the outside, this bolt is operated by a special serrated key. The bolt shoots into a mortice plate on the frame by use of the key. The key is used to also withdraw the bolt. Order these separately. One key will serve for any quantity of door bolts but 2-3 keys are usual for each site. For French windows fit two bolts to each door leaf, one into the top frame and the second into the sill.

Finishes available: Brass + White only.



### Security Window Bolt 29-103

Size: 30mm

Mortised into the window section, invisible from the outside, the bolt is operated by a special serrated key. The bolt shoots into a mortice plate on the frame by use of the key. The key is used to also withdraw the bolt. Order key separately, one key will serve for any quantity of door bolts but 2-3 keys are usual for each site. For large windows fit two bolts to each door leaf, one into the top frame and the second into the sill.

Finishes available: Brass + White only.

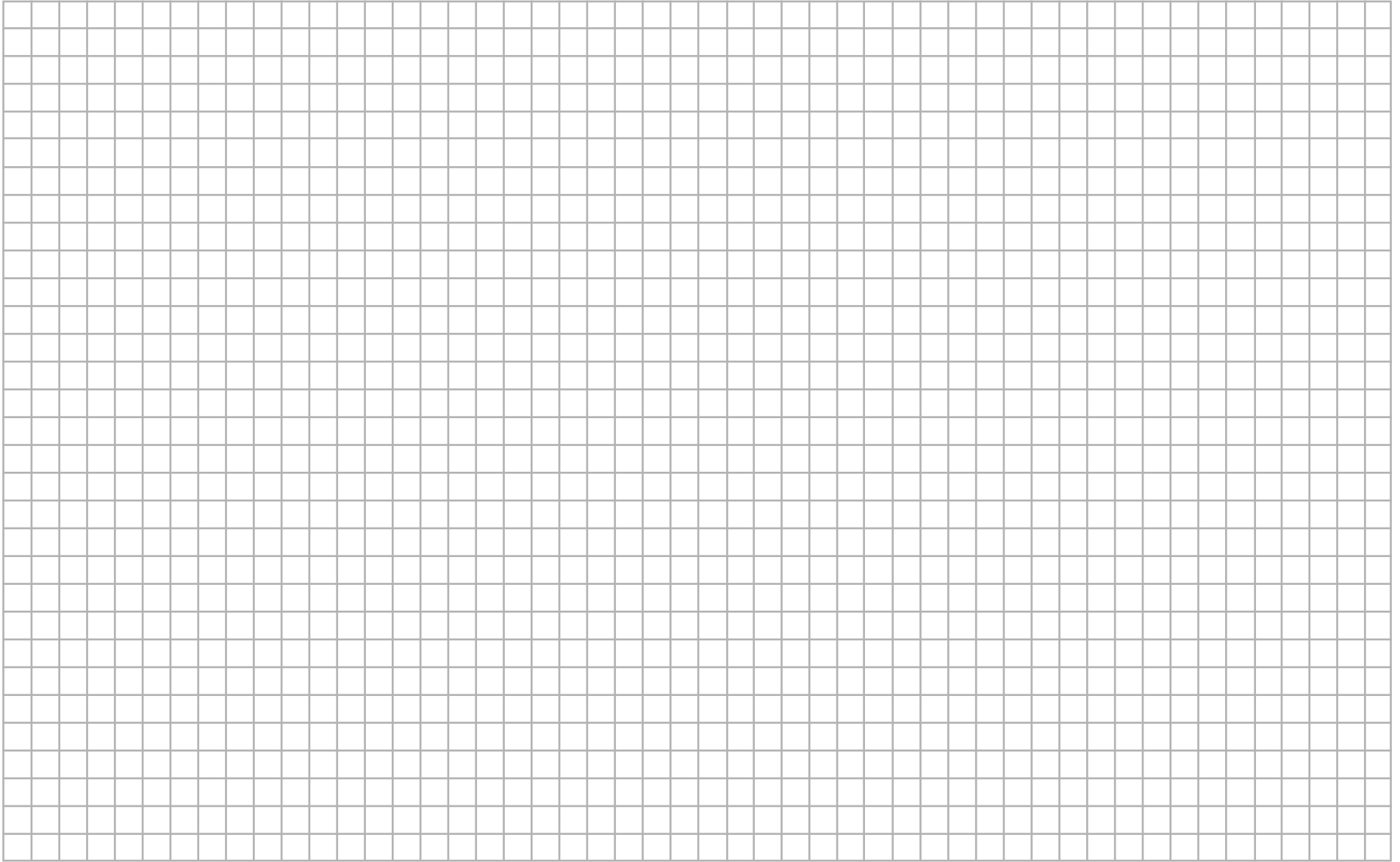


### Security Bolt Key 29-106

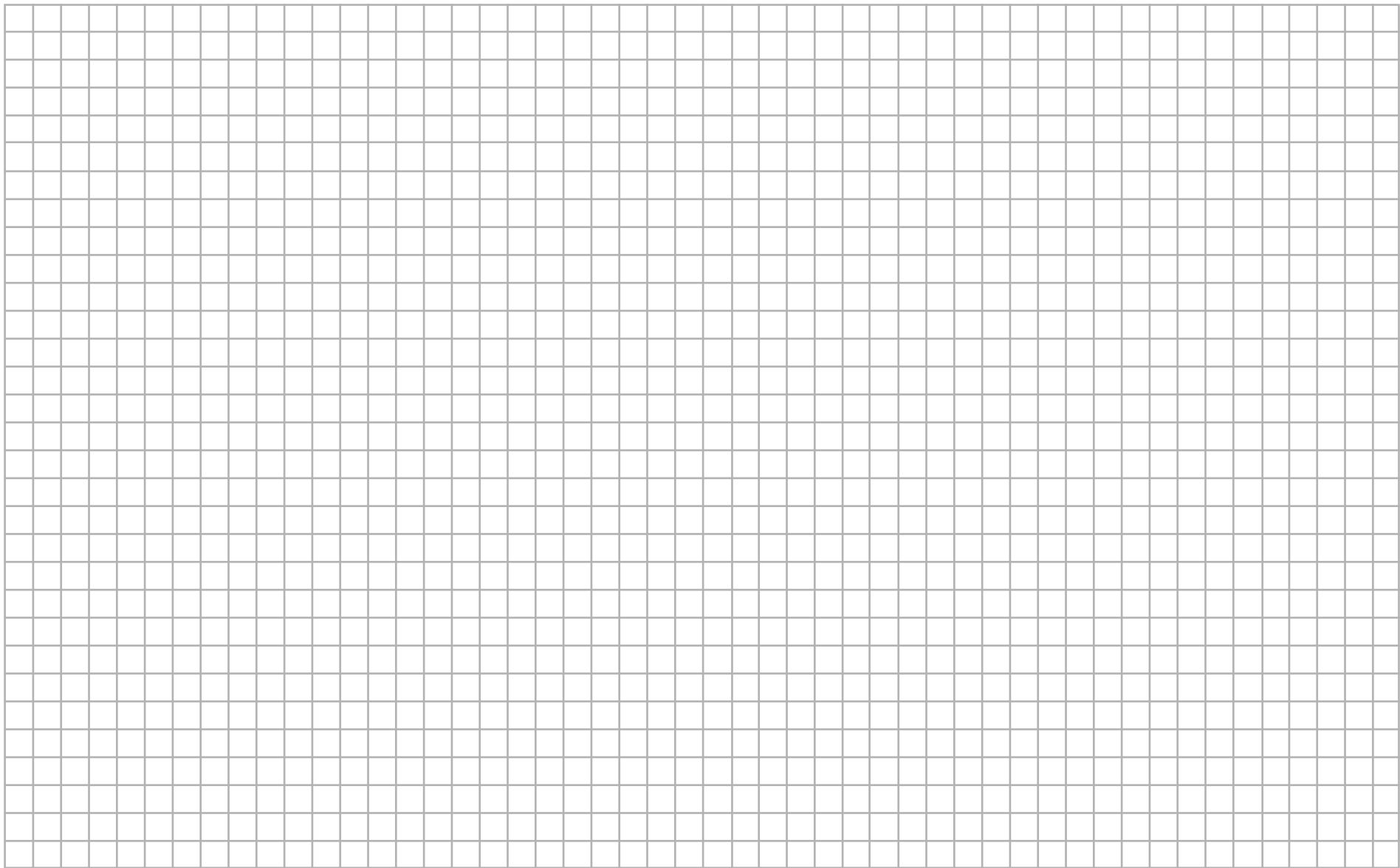
A special serrated key for both door and window bolts one key will serve for any quantity of door bolts but 2-3 keys are usual for each site.

Finishes available: Brass + Grey mix only.

NOTES



NOTES



SECURITY